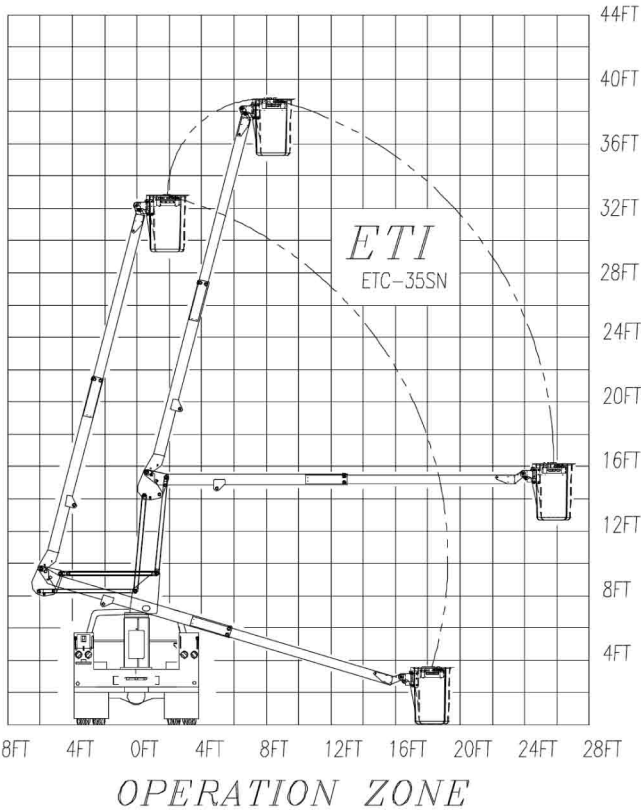


Equipment Technology LLC is a full service solution provider of the highest quality design, manufacturing, and post sale service.

**ETC 35 SNT**



**General Specifications\***

Height to bottom of bucket	35 ft. - 0 in.
Working height	40 ft. - 0 in.
Side reach, End mount	26 ft. - 0 in.
Rotation	390° Non-continuous
Lower boom articulation	0 to 95 degrees
Upper boom travel	-17 to 75 degrees
Stow height	9 ft. - 9 in.
Rated bucket capacity	350 lbs.



**Standard Features**

- Bucket mounted controls
- Variable speed controls
- Hydraulic bucket leveling
- Emergency upper boom controlled descent

**Minimum Vehicle Specifications**

- GVWR 15,000 lbs.
- C.A. 60 in

**Options**

- Engine start/stop at bucket
- Emergency hydraulic power (12VDC)
- Air line to bucket
- Bridgeframe Hi-Cube body
- 90 degree bucket rotator

